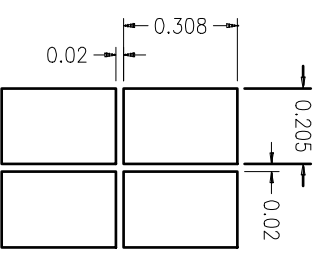
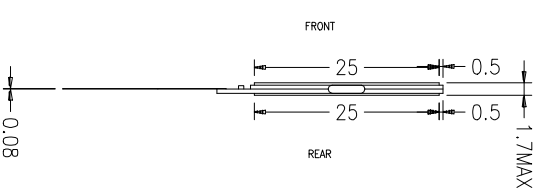
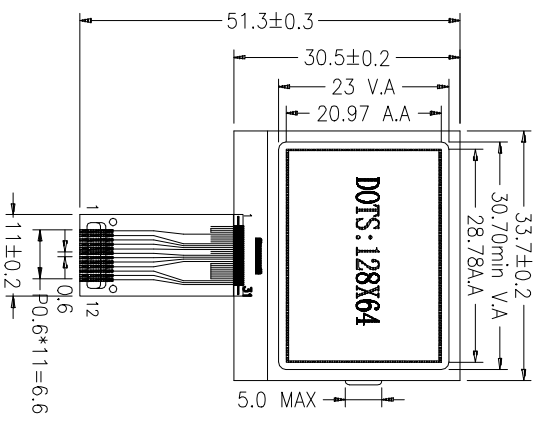


接口定义:



PIN	DESC
1	VLCD
2	VB1+
3	VB1-
4	VB0-
5	VB0+
6	VSS
7	VDD
8	D7
9	D6
10	CD
11	RST
12	CS0

由 Autodesk 教育版产品制作

DISPLAY TYPE: FSTN/POSITIVE
 POLARIZER: TRANSPARENT
 VIEWING DIRECTION: 12:00-CLOCK
 DRIVE METHOD: 1/65DUTY,1/9BIAS
 OPERATING VOLTAGE: 8.7V
 OPERATING TEMP: -10 TO 60 Deg.C
 STORAGE TEMP: -20 TO 70 Deg.C
 CONNECTOR: COG

SHEET: 1 OF 2		HOTWELLG 深圳市好威格电子有限公司	
GENERAL TOL: ±0.20 MM	UNITS MM		
CUS NO:	MODULE NUMBER:		
DRAW BY: ZXM	1.4		
CHK BY: LIQIN	PROJECTION	TEL:0755-29647561 FAX:0755-29642316	
APP	DATE: 4-8-2012		